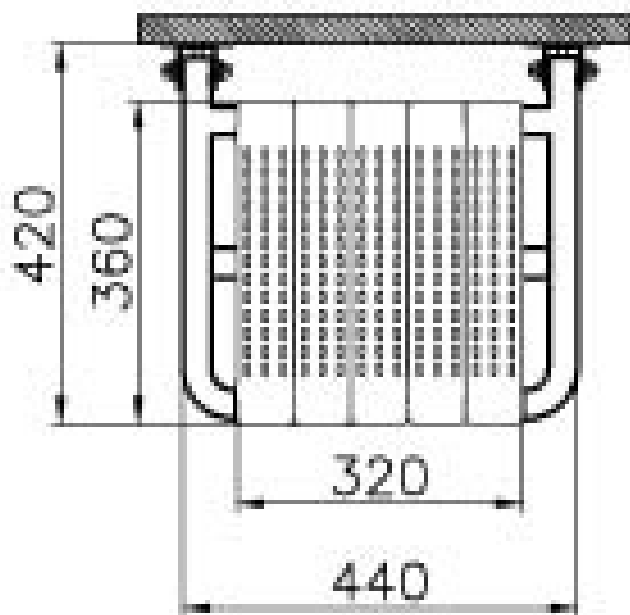
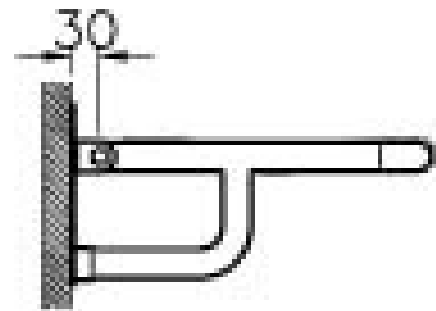
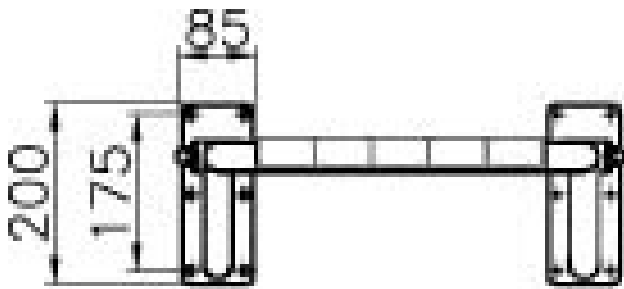


# VitrA

Description Hinged Arm Shower Seat (without Support Leg)

Code 320-3015  
Product Properties Accessible Bathrooms  
Colour White



VitrA retains the right to change details about the products and technical specifications without prior notice.